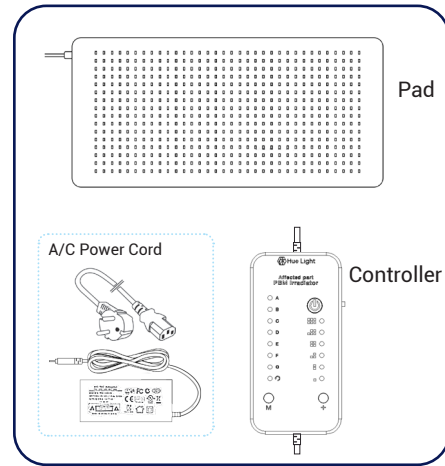


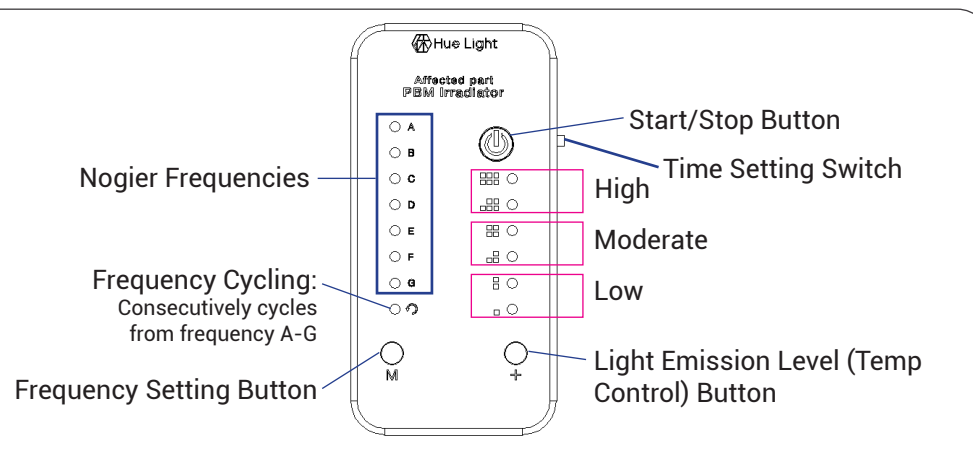
USER MANUAL HA-P01

- Please carefully read all the cautions and instructions before using the device.
- Service fee may apply for any damage caused by misuse from not following the addressed cautions.

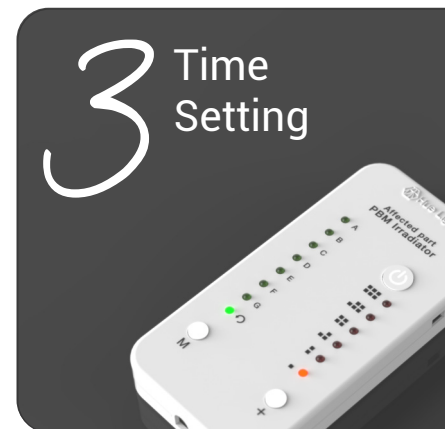
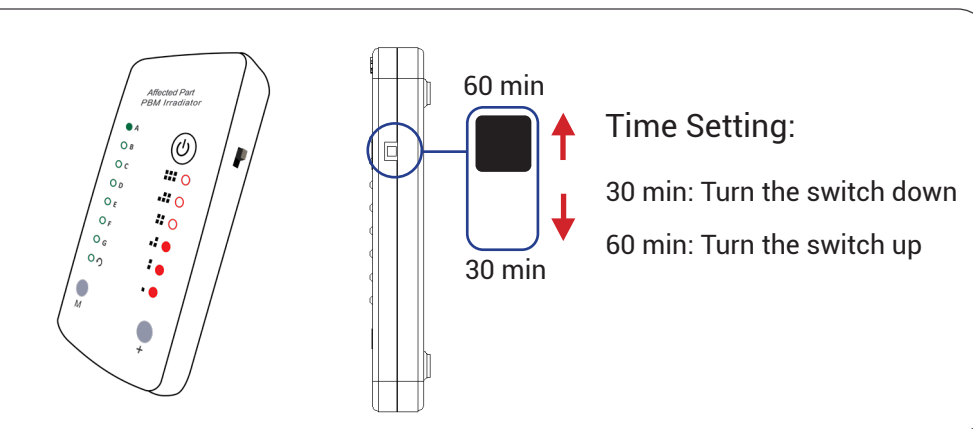


1 Start PBM Therapy

- 1 Connect the cords to connect the controller and the pad properly.
- 2 Connect the power cord to the proper outlet.
- 3 Set the Nogier Frequency Level by pressing the M button.
- 4 Set the time using the switch on the side.
- 5 Set the light emission level by pressing the + button.
- 6 Place the pad onto any part of the body.
- 7 Press the Start button to start the session.

Labels: Start/Stop Button, Time Setting Switch, High, Moderate, Low, Light Emission Level (Temp Control) Button, Frequency Setting Button, Frequency Cycling: Consecutively cycles from frequency A-G, Nogier Frequencies (A-G).

Time Setting:
30 min: Turn the switch down
60 min: Turn the switch up

⚠ Cleaning & Storage

Cleaning: Use a tissue with alcohol or clean water to clean the pad after use. Wipe it dry with a dry cloth.

Storage: Disconnect all the cords and put the product inside the package box after use.



Frequency A
Wound healing
Skin and nerve repair
Reduce scar tissue, inflammation, and tumors

Frequency B
Nutritional assimilation
Relieve allergy issues, circulatory problems, edema, and lymph issues
Balance nervous system

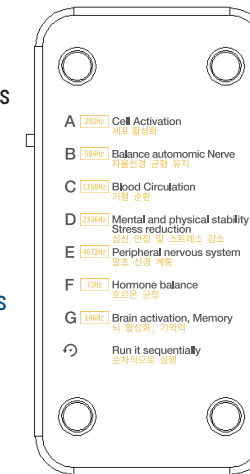
Frequency C
Muscle, skeletal, and myofascial relief

Frequency D
Balance the two sides of the brain
Reduce and treat stress

Frequency E
Recover from spinal and skin disorders
Pain control
Reduce excess calcification (arthritis)

Frequency F
Recover from muscle spasms, facial pain, headaches, and depression
Enhance circulation

Frequency G
Enhance memory
Reduce psychological disorders and nervousness



Safety and Maintenance

Cautions

- ◆ The highest heat level of the operating device is 38-40°C. If you feel that the heat is too high, please lower the heat level by lowering the light emission level.
- ◆ The pad has LED chips inside the silicone. So, do not strike or put any object on the product. Piercing or folding the product too much may cause malfunctions.
- ◆ The product is not fully waterproof. Do not put it in water.

A/S Warranty

- ◆ If there is any issue with this product, you can get a free A/S service for 1 year. (A service fee may be applied for any cases that fall into the paid service category even during this warranty period.)
- ◆ Paid Service
 - Product failure or damage due to the user's misuse
 - Failure due to improper repair or modification
 - Failure caused by a natural disaster
 - Damage caused by failure to observe any cautions specified in this manual